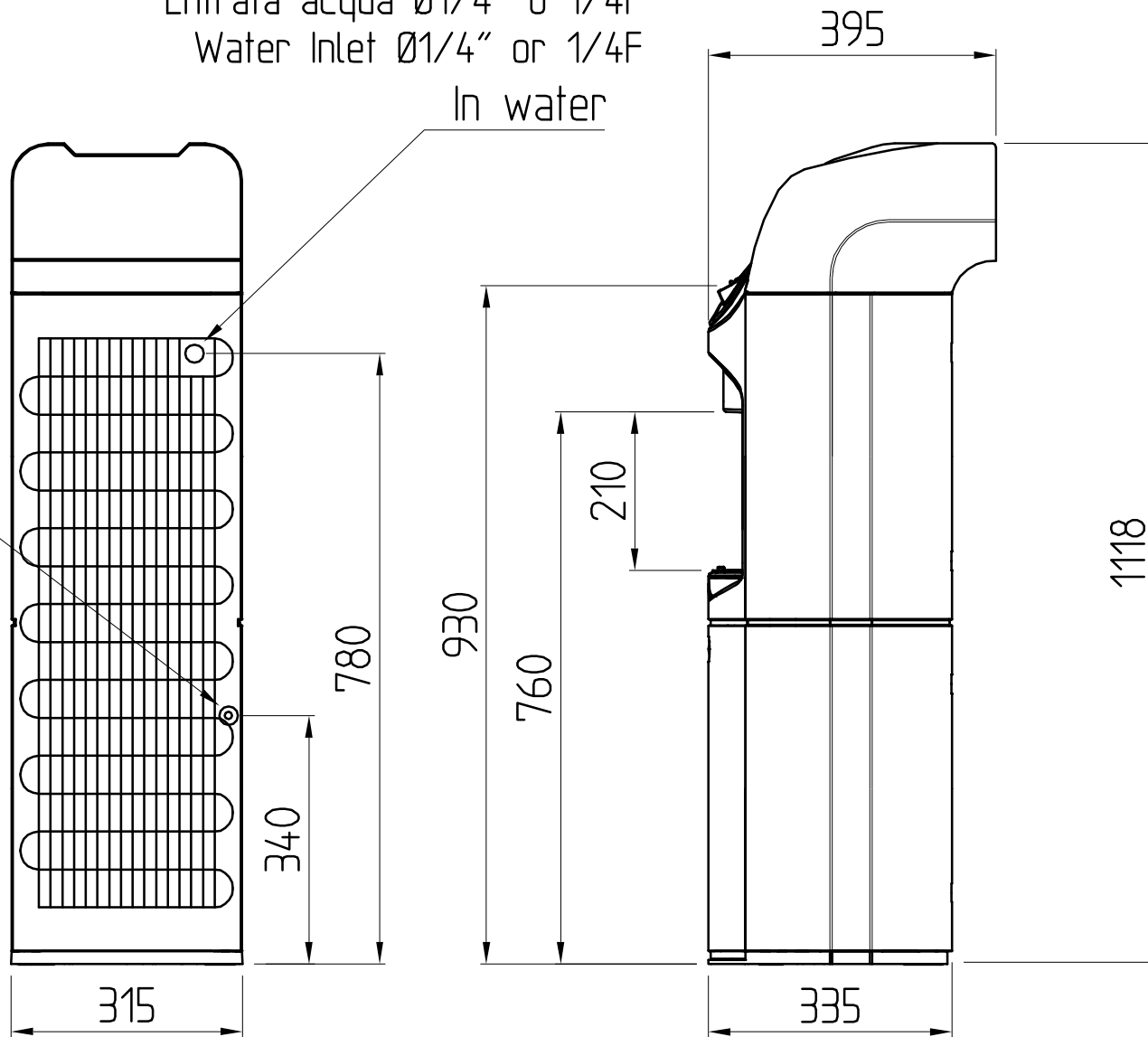


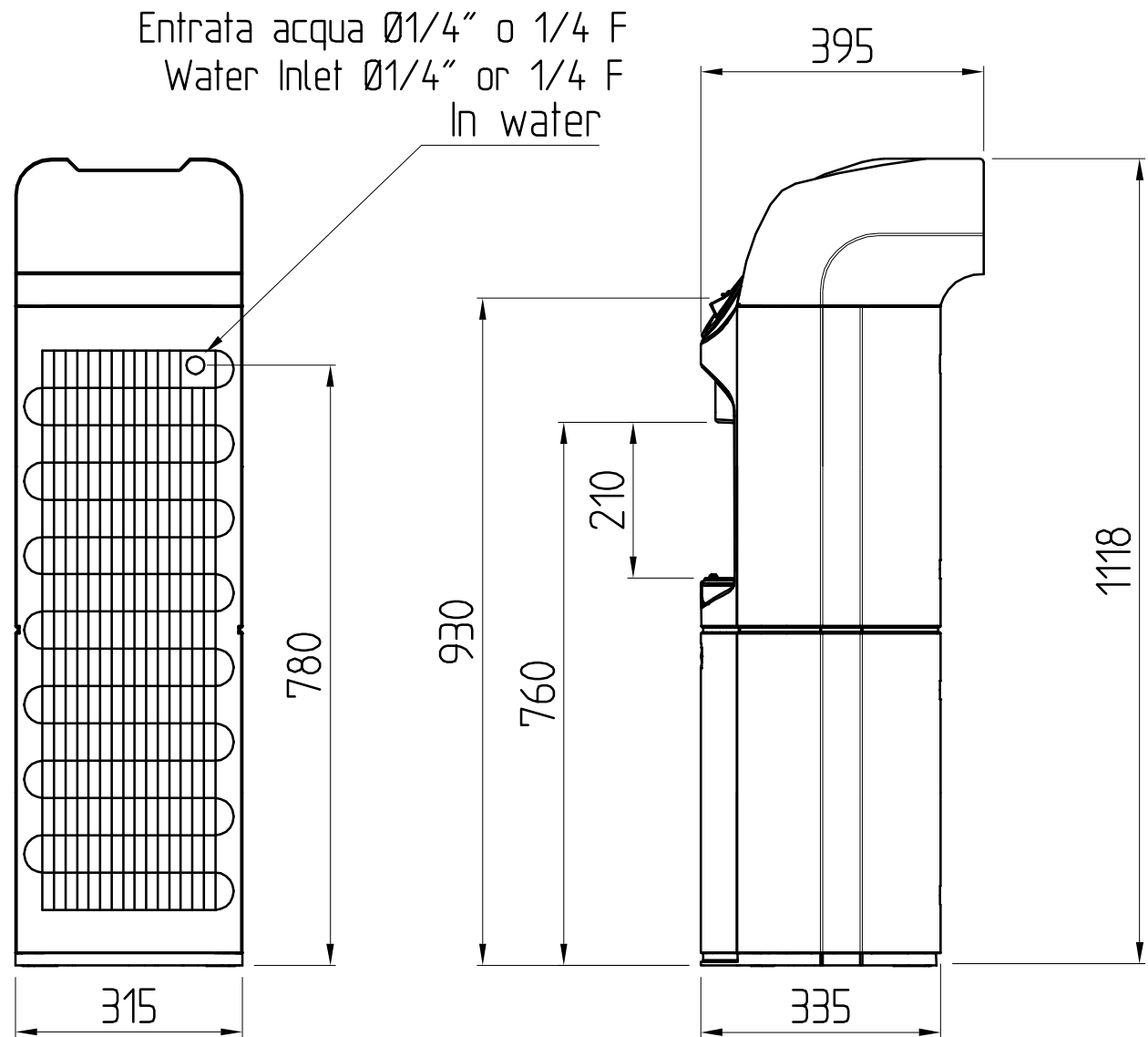
CONNECT 23 RI

Entrata acqua Ø1/4" o 1/4F
Water Inlet Ø1/4" or 1/4F
In water

Tubo scarico Osmosi
Osmosis waste pipe



CONNECT 23 A RO



CONNECT 28